



# BAROCAP® Barometer PTB110

For Industrial Use



## Features

- Vaisala BAROCAP® sensor
- Several pressure ranges
- Accuracy  $\pm 0.3$  hPa at  $+20$  °C
- Long-term stability
- On/Off control with external trigger
- Output voltage 0 ... 2.5 or 0 ... 5 VDC
- Current consumption less than 4 mA
- Mountable on 35 mm wide DIN rail
- Traceable calibration (certificate included)

Vaisala BAROCAP® Barometer PTB110 is designed both for accurate barometric pressure measurements at room temperature and for general environmental pressure monitoring over a wide temperature range.

## Vaisala BAROCAP Technology

PTB110 uses the Vaisala BAROCAP sensor, a silicon capacitive absolute pressure sensor developed by Vaisala for barometric pressure measurement applications. The sensor combines the outstanding elasticity characteristics and mechanical stability of single-crystal silicon with the proven capacitive detection principle.

## Applications

PTB110 is suitable for a variety of applications, such as environmental pressure monitoring, data buoys, laser interferometers, and agriculture and hydrology. The compact PTB110 is ideal for data logger applications as it has low power consumption. The external On/Off control is practical when electricity supply is limited.

## Accuracy and Stability

The excellent long-term stability of the barometer minimizes or even removes the need for field adjustment in many applications.

# Technical Data

## Measurement Performance

Pressure range (1 hPa = 1 mbar)	500 ... 1 100 hPa 600 ... 1100 hPa 800 ... 1100 hPa 800 ... 1060 hPa 600 ... 1060 hPa
Resolution	0.1 hPa
Load resistance	10 000 Ω minimum
Load capacitance	47 nF maximum
Settling time to full accuracy after startup	1 s
Response time to full accuracy after a pressure step	500 ms
Acceleration sensitivity	Negligible
<b>Accuracy</b>	
Linearity <sup>1)</sup>	±0.25 hPa
Hysteresis <sup>1)</sup>	±0.03 hPa
Repeatability <sup>1)</sup>	±0.03 hPa
Pressure calibration uncertainty <sup>2)</sup>	±0.15 hPa
Voltage calibration uncertainty	± 0.7 mV
Frequency calibration uncertainty	± 0.3 Hz
Accuracy at +20 °C (+68 °F) <sup>3)</sup>	±0.3 hPa
<b>Total Accuracy at</b>	
+15 ... +25 °C (+59 ... +77 °F)	±0.3 hPa
0 ... +40 °C (+32 ... +104 °F)	±0.6 hPa
-20 ... +45 °C (-4 ... +113 °F)	±1.0 hPa
-40 ... +60 °C (-40 ... +140 °F)	±1.5 hPa
Long-term stability	±0.1 hPa / year

- 1) Defined as ±2 standard deviation limits of end-point non-linearity, hysteresis error, or repeatability error.  
 2) Defined as ±2 standard deviation limits of inaccuracy of the working standard including traceability to international standards.  
 3) Defined as the root sum of the squares (RSS) of end-point non-linearity, hysteresis error, repeatability error, and calibration uncertainty at room temperature.

## Operating Environment

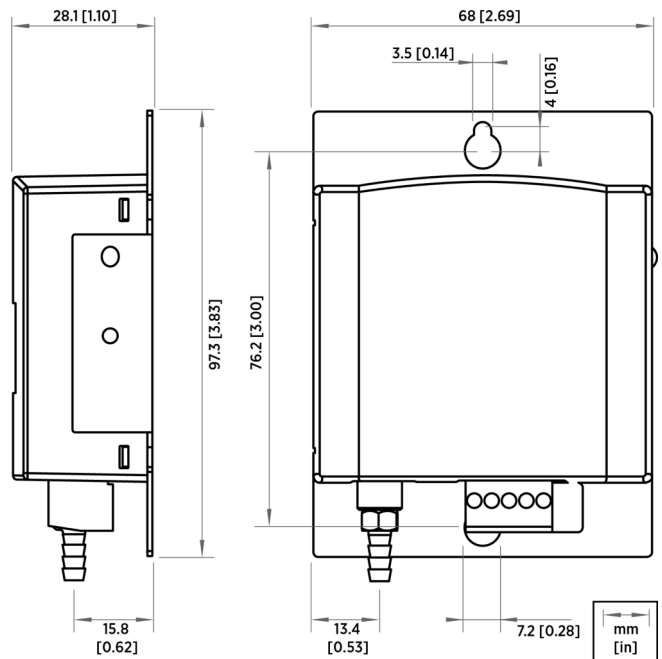
Operating temperature	-40 ... +60 °C (-40 ... +140 °F)
Storage temperature	-40 ... +60 °C (-40 ... +140 °F)
Operating humidity	Non-condensing
EMC compliance	EN/IEC 61326-1, Electrical equipment for measurement, control and laboratory use - industrial environment

## Mechanical Specifications

IP rating	IP32
Dimensions (H × W × D)	97.3 × 68.4 × 28.1 mm (3.83 × 2.69 × 1.10 in)
Weight	90 g (3.2 oz)
<b>Materials</b>	
Housing cover	Plastic ABS/PC blend
Mounting plate	Aluminum

## Inputs and Outputs

Supply voltage	10 ... 30 VDC
Supply voltage control	With TTL-level (Transistor-Transistor Logic) trigger
Supply voltage sensitivity	Negligible
Average power consumption	0.10 W at 12 V
Output voltage	0 ... 2.5 VDC 0 ... 5 VDC
Output frequency	500 ... 1100 Hz
Pressure connector	M5 (10 ... 32) internal thread
Pressure fitting	Barbed fitting for 1/8 in
Minimum pressure limit	0 hPa abs
Maximum pressure limit	2000 hPa abs
Electrical connector	A removable connector for 5 wires (AWG 28 ... 16)
Terminals	Pin 1: External triggering Pin 2: Signal ground Pin 3: Supply ground Pin 4: Supply voltage Pin 5: Voltage/Frequency output



Published by Vaisala | B210681EN-E © Vaisala 2018

All rights reserved. Any logos and/or product names are trademarks of Vaisala or its individual partners. Any reproduction, transfer, distribution or storage of information contained in this document is strictly prohibited. All specifications – technical included – are subject to change without notice.

**VAISALA**

www.vaisala.com